







Additional information on this product is immediately available online at www.bannerengineering.com/121899

For further assistance, contact a Banner Engineering Applications Engineer at (763) 544-3164 or (888) 373-6767.



Models

Models	Construction	Connector*	LED Function – Lights Independently Selected			Inputs	
			Color 1	Color 2	Color 3		
Two LED Colors	 T8LGRXPQP T8LGRXNQP T8LGXYPQP T8LGXYNQP T8LXRYQPQ T8LXRYNQP	Polycarbonate/ABS alloy housing, thermoplastic diffuser. Fully encapsulated IP67	150 mm (6") PVC pigtail with 4-pin Euro QD connector	Green	Red	–	PNP (Sourcing)
							NPN (Sinking)
				Green	–	Yellow	PNP (Sourcing)
							NPN (Sinking)
				–	Red	Yellow	PNP (Sourcing)
	 M18GRXPQ M18GRXNQP M18GXYPQ M18GXYNQ M18XRYQPQ M18XRYNQP	Nickel-plated brass housing, thermoplastic diffuser. Fully encapsulated IP67	4-pin Euro integral QD connector	Green	Red	–	PNP (Sourcing)
							NPN (Sinking)
				Green	–	Yellow	PNP (Sourcing)
							NPN (Sinking)
				–	Red	Yellow	PNP (Sourcing)
	 T18GRXPQ T18GRXNQP T18GXYPQ T18GXYNQ T18XRYQPQ T18XRYNQP	Thermoplastic polyester housing, thermoplastic diffuser.	4-pin Euro integral QD connector	Green	Red	–	PNP (Sourcing)
							NPN (Sinking)
				Green	–	Yellow	PNP (Sourcing)
							NPN (Sinking)
				–	Red	Yellow	PNP (Sourcing)
	 T30GRXPQ T30GRXNQP T30GXYPQ T30GXYNQ T30XRYQPQ T30XRYNQP	Fully encapsulated IP67	4-pin Euro integral QD connector	Green	Red	–	PNP (Sourcing)
							NPN (Sinking)
				Green	–	Yellow	PNP (Sourcing)
							NPN (Sinking)
				–	Red	Yellow	PNP (Sourcing)
	 K50LGRXPQ K50LGRXNQP K50LGXYPQ K50LGXYNQP K50LXRYQPQ K50LXRYNQP	30 mm threaded polycarbonate base, translucent polycarbonate dome. Fully encapsulated IP67	4-pin Euro integral QD connector	Green	Red	–	PNP (Sourcing)
							NPN (Sinking)
				Green	–	Yellow	PNP (Sourcing)
							NPN (Sinking)
–				Red	Yellow	PNP (Sourcing)	
 K80LGRXPQ K80LGRXNQP K80LGXYPQ K80LGXYNQP K80LXRYQPQ K80LXRYNQP	ABS and polycarbonate base, translucent polycarbonate dome. Electronics fully encapsulated IP67	4-pin Euro integral QD connector	Green	Red	–	PNP (Sourcing)	
						NPN (Sinking)	
			Green	–	Yellow	PNP (Sourcing)	
						NPN (Sinking)	
			–	Red	Yellow	PNP (Sourcing)	

* **T8L Models:** Standard pigtail QD models are listed (mating cable required; see page 3). For integral 4-wire 2 m (6.5') cable model, omit suffix "QP" (e.g., "T8LGRXP").






K80L Models: Standard 4-pin Euro integral QD connector models are listed (mating cable required; see page 3). For terminal-wired model with included compression fitting, omit suffix "Q" (e.g., "K80LGRXP").

Other Models: Standard 4-pin Euro integral QD connector models are listed (mating cable required; see page 3). For 2 m (6.5') integral 4-wire cable model, omit suffix "Q" (e.g., "M18GRXP"). For 150 mm (6") PVC pigtail with 4-pin Euro connector, replace suffix "Q" with "QP" (e.g., "M18GRXPQP").

** Contact Factory for other colors/color combinations, including: blue, white, orange.

Additional models shown on page 2.

EZ-LIGHT™ – General-Purpose Indicators with Two or Three Colors

Models	Construction	Connector*	LED Function – Lights Independently Selected			Inputs		
			Color 1	Color 2	Color 3			
Three LED Colors		M18GRYPQ	4-pin Euro integral QD connector	Green	Red	Yellow	PNP (Sourcing)	
		M18GRYNQ						NPN (Sinking)
		T18GRYPQ					Thermoplastic polyester housing, thermoplastic diffuser.	PNP (Sourcing)
		T18GRYNQ					NPN (Sinking)	
		T30GRYPQ					Fully encapsulated IP67	PNP (Sourcing)
		T30GRYNQ						
		K50LGRYPQ					30 mm threaded nylon base, translucent polycarbonate dome.	PNP (Sourcing)
		K50LGRYNQ					Fully encapsulated IP67	
		K80LGRYPQ					ABS and polycarbonate base, translucent polycarbonate dome.	PNP (Sourcing)
		K80LGRYNQ					Electronics fully encapsulated IP67	NPN (Sinking)

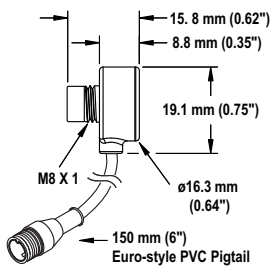
* **K80L Models:** Standard 4-pin Euro integral QD connector models are listed (mating cable required; see page 3). For terminal-wired model with included compression fitting, omit suffix "Q" (e.g., "K80LGRXP").

Other Models: Standard 4-pin Euro integral QD connector models are listed (mating cable required; see page 3). For 2 m (6.5') integral 4-wire cable model, omit suffix "Q" (e.g., "M18GRXP"). For 150 mm (6") PVC pigtail with 4-pin Euro connector, replace suffix "Q" with "QP" (e.g., "M18GRXPQP").

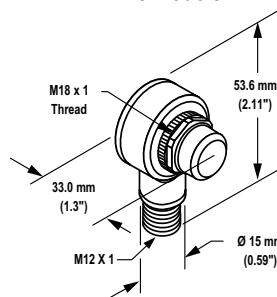
** Contact Factory for other colors/color combinations, including: blue, white, orange.

Dimensions

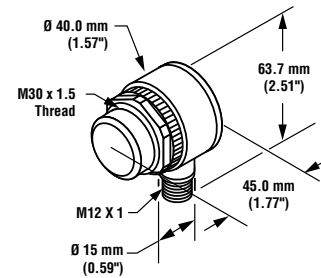
T8 Models



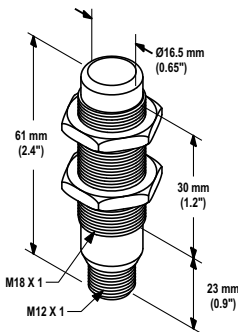
T18 Models



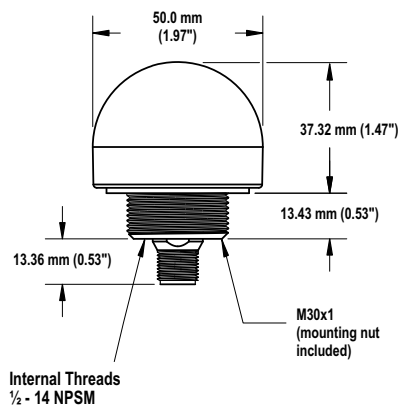
T30 Models



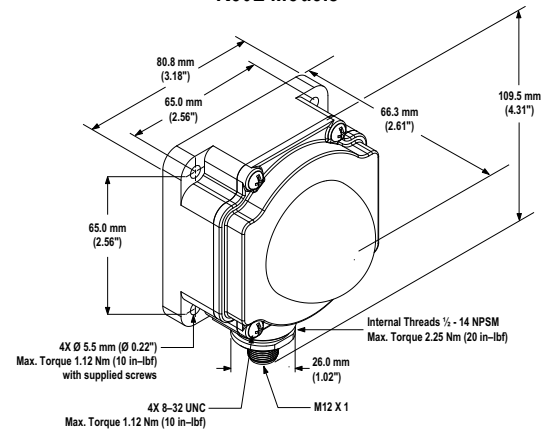
M18 Models



K50L Models



K80L Models



EZ-LIGHT™ – General-Purpose Indicators with Two or Three Colors

Specifications

Supply Voltage and Current

T8 Models: 10 to 30V dc @ 20 mA max. per LED color
T18 and M18 Models: 10 to 30V dc @ 25 mA max. per LED color
T30 Models: 10 to 30V dc @ 40 mA max. per LED color
K50L and K80L Models: 18 to 30V dc @ 40 mA max. per LED color

Indicators

Entire translucent diffuser or dome provides indication.
 LEDs are independently selected: Green, Red, Yellow; 1, 2, or 3 colors, depending on model. For other colors/combinations, contact Factory for availability.

Environmental Rating

Fully encapsulated, IEC IP67

Connections

K80L Models: 4-pin Euro-style integral QD (Q) standard. Terminal-wired models available for use with bulk cable; compression fitting included. Contact Factory for cable information.

T8L Models: 4-pin Euro-style, 6" pigtail QD (QP), or 4-wire, 2 m (6.5') integral cable, depending on model

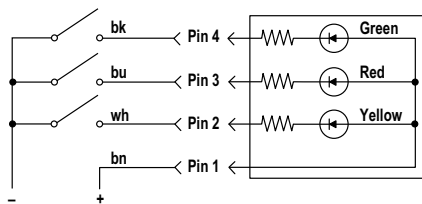
Other Models: 4-pin Euro-style integral QD (Q), 6" pigtail QD (QP), or 4-wire, 2 m (6.5') integral cable, depending on model

Operating Conditions

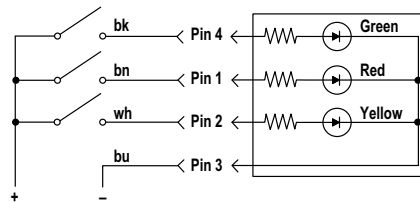
Temperature: -20° to +50° C (-4° to +122° F)

Hookups

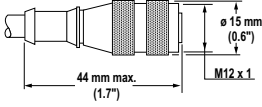
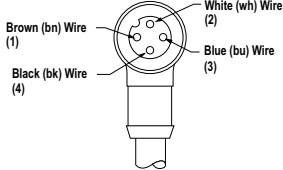
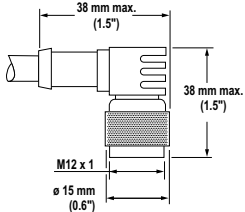
NPN Models



PNP Models




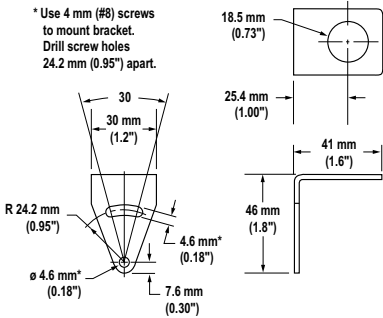

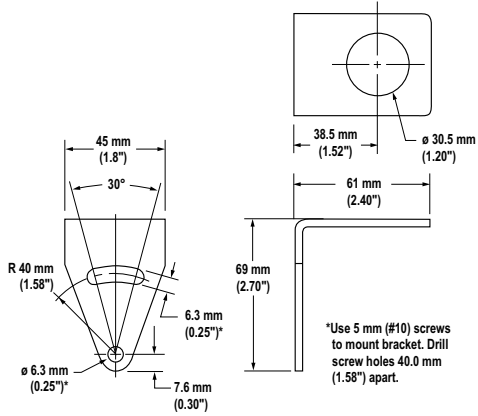

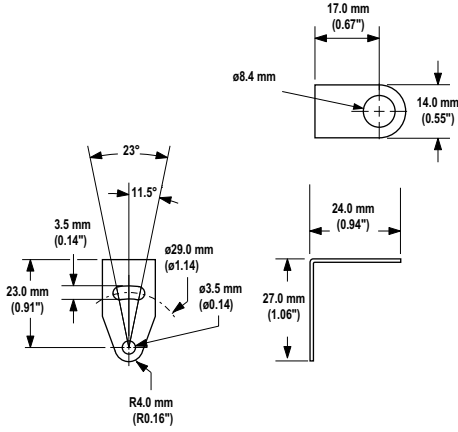
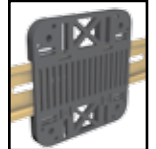
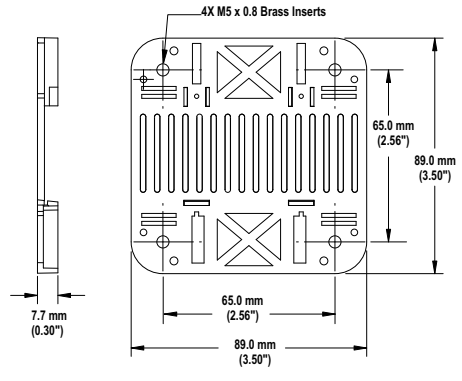
Quick-Disconnect (QD) Cables

Style	Model	Length	Dimensions	Pinout
4-pin Euro-style straight	MQDC-406 MQDC-415 MQDC-430	2 m (6.5') 5 m (15') 9 m (30')		
4-pin Euro-style right-angle	MQDC-406RA MQDC-415RA MQDC-430RA	2 m (6.5') 5 m (15') 9 m (30')		

Bulk cable for terminal-wired K80L models: Contact Factory.

EZ-LIGHT™ – General-Purpose Indicators with Two or Three Colors

Accessory Mounting Brackets

<p>SMB18A</p> <ul style="list-style-type: none"> • For use with M18 and T18 models or base-mount T30 models • 12-gauge, stainless steel, right-angle bracket, curved mounting slot for adjustable orientation • Clearance for M4 (#8) hardware 	<p>SMB30A</p> <ul style="list-style-type: none"> • For use with T30 models or base-mount K50L models • 30 mm 12-gauge, 304 stainless steel, right-angle mounting bracket, curved mounting slot for adjustable orientation • Clearance for M5 (#10) hardware
 <p>Other available 18 mm dia. brackets:</p> <ul style="list-style-type: none"> SMB1815SF SMB18Q SMB18SF SMB312PD SMBAMS18RA SMBAMS18P  <p>* Use 4 mm (#8) screws to mount bracket. Drill screw holes 24.2 mm (0.95") apart.</p>	 <p>Other available 30 mm dia. brackets:</p> <ul style="list-style-type: none"> SMBAMS30RA SMBAMS30P SMB30SC SMB30Q SMB30MM SMB3018SC  <p>* Use 5 mm (#10) screws to mount bracket. Drill screw holes 40.0 mm (1.58") apart.</p>
<p>SMB8MM</p> <ul style="list-style-type: none"> • For use with T8L models • Right-angle bracket • 300 series stainless steel 	<p>SMBDX80D</p> <ul style="list-style-type: none"> • DIN-mount bracket for K80L models • Hardware included to mount to K80L housing • ABS
 	 

Additional information on this product is immediately available online at www.bannerengineering.com/121899

For further assistance, contact a Banner Engineering Applications Engineer at (763) 544-3164 or (888) 373-6767.



WARRANTY: Banner Engineering Corp. warrants its products to be free from defects for one year. Banner Engineering Corp. will repair or replace, free of charge, any product of its manufacture found to be defective at the time it is returned to the factory during the warranty period. This warranty does not cover damage or liability for the improper application of Banner products. This warranty is in lieu of any other warranty either expressed or implied.